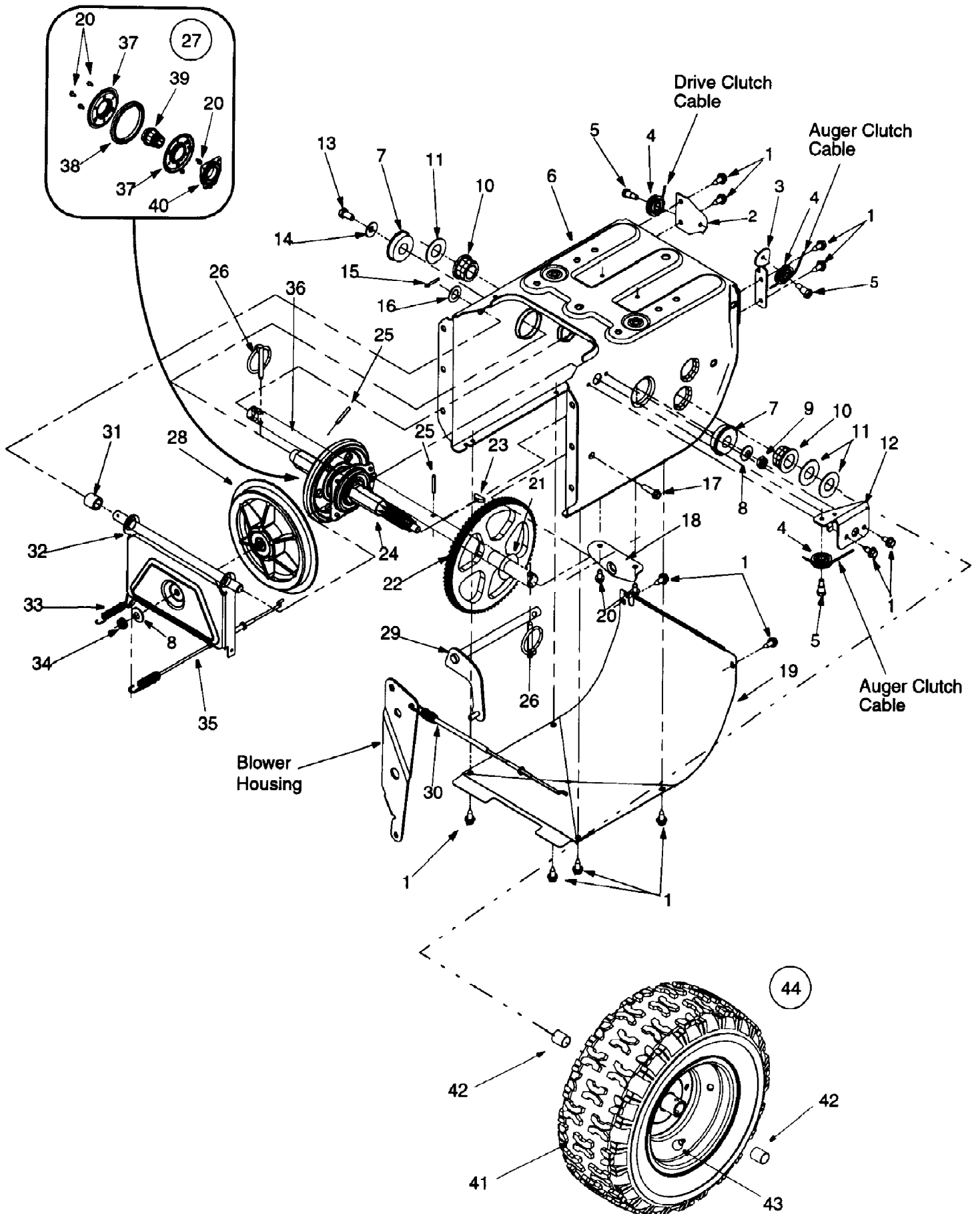


31AH633E190 Snow Boss 750 (2000)
Blower Housing

Page 2 of 11

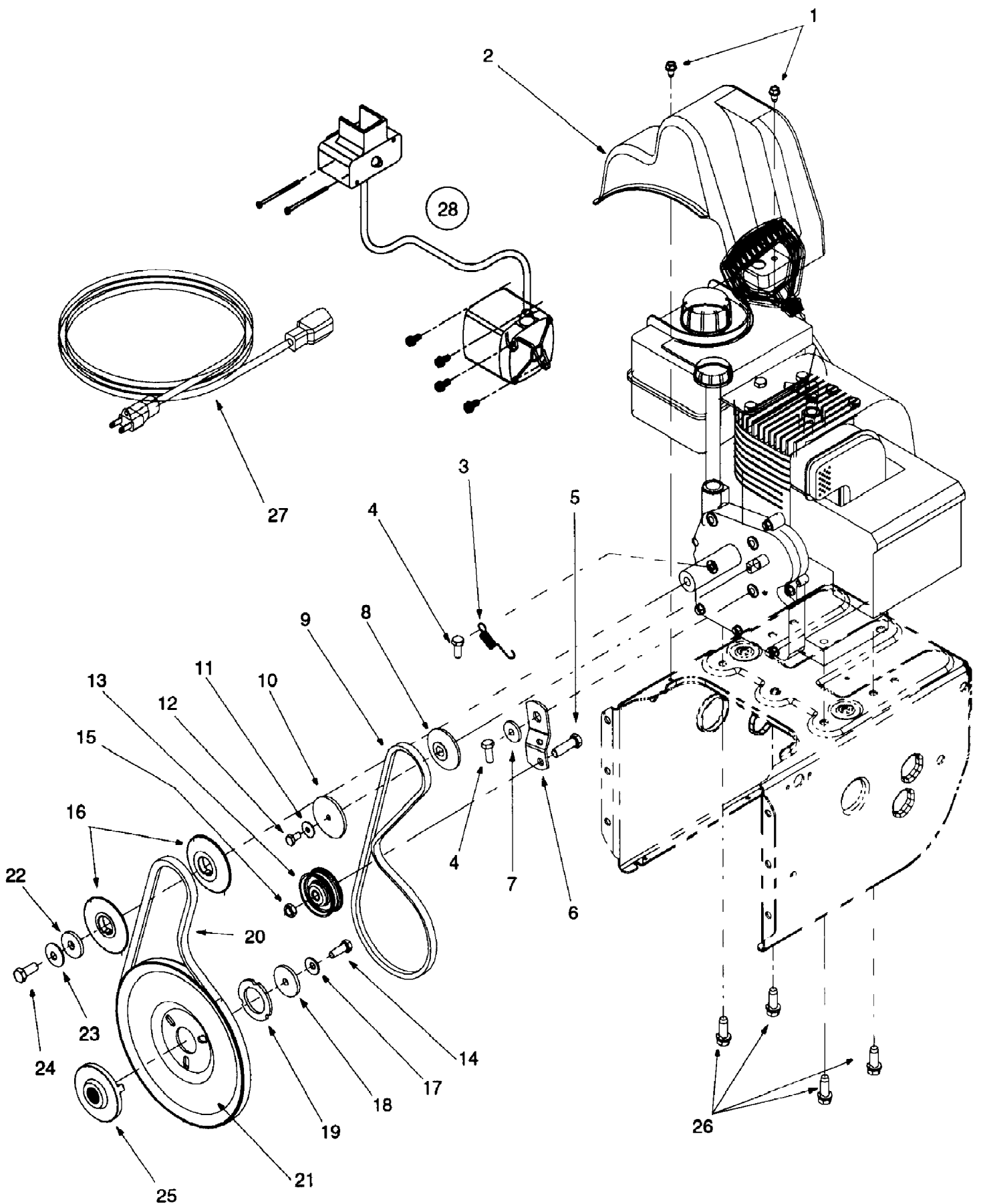
Ref #	Part Number	Qty	S/P/F	Description
1	712-0116	1	S	Lock Jam Nut 3/8-24
2	756-0178	1		Flat Idler
3	784-5632A	1	S	Auger Idler Arm
4	710-0459A	1	/P	Hex Cap Screw 3/8-24 x 1.50
5	738-0281	1	S	Shoulder Screw
6	736-0174	1	/P	Wave Washer
7	732-0611	1	S	Extension Spring
8	712-3068	1	S	Hex Nut 5/16-18
9	712-3010	1	S	Hex Nut 5/16-18
10	736-0119	1	S	Lock Washer 5/16
11	05931	1	S	Housing
12	741-0309	1	S	Ball Bearing
13	710-0451	1	/P	Carriage Bolt 5/16-18 x .75
14	705-5226	1		Chute Reinforcement
15	684-0052B	1		22" Housing Ass'y (For model 550)
	684-0039C	1	S	24" Housing Ass'y (For model 750)
16	712-3010	1	S	Hex Nut 5/16-18
17	712-0429	1	S	Lock Nut 5/16-18
18	736-0242	1	/P	Bell Washer
19	741-0475	1	S	Bushing
20	784-5647	1	S	Chute Crank Bracket
21	731-1379A	1	S	Chute Adapter
22	712-0324	1	/P	Hex Lock Nut 1/4-20
23	736-0463	1	S	Flat Washer
24	784-5618	1	S	Bearing Housing
25	710-0703	1	/P	Carriage Screw 1/4-20 x .75
26	710-0604	1	S	Hex Washer Screw 5/16-18
27	736-0169	1	S	Lock Washer 3/8
28	712-0798	1	/P	Hex Nut 3/8-16
29	741-0245	1	S	Hex Flange Bearing
30	784-5038B	1	S	Skid Shoe
31	736-0242	1	/P	Bell Washer
32	712-3010	1	S	Hex Nut 5/16-18
33	784-5576	1	S	21.66" Shave Plate (For model 550)
	784-5581A	1	S	23.66" Shave Plate (For model 750)
34	710-0260	1	S	Carriage Bolt 5/16-18 x .62
35	684-0065	1	S	Impeller Assembly
36	715-0114	1	S	Pin
37	618-0413	1		22" Gear Assembly (For model 550)
	618-0414	1	S	24" Gear Assembly (For model 750)
38	605-5252A	1	S	22" Spiral RH (For model 550)
	605-5188A	1	S	24" Spiral RH (For model 750)
39	736-0188	1	/P	Flat Washer
40	741-0493A	1	/P	Flange Bushing
41	605-5253A	1	S	22" Spiral LH (For model 550)
	605-5189A	1	S	24" Spiral LH (For model 750)
42	710-0890A	1	/P	Shear Bolt 5/16-18 x 1.5
43	736-0231	1	S	Flat Washer, .344 x 1.12 x .87



31AH633E190 Snow Boss 750 (2000)
Drive And Frame Assembly

Page 4 of 11

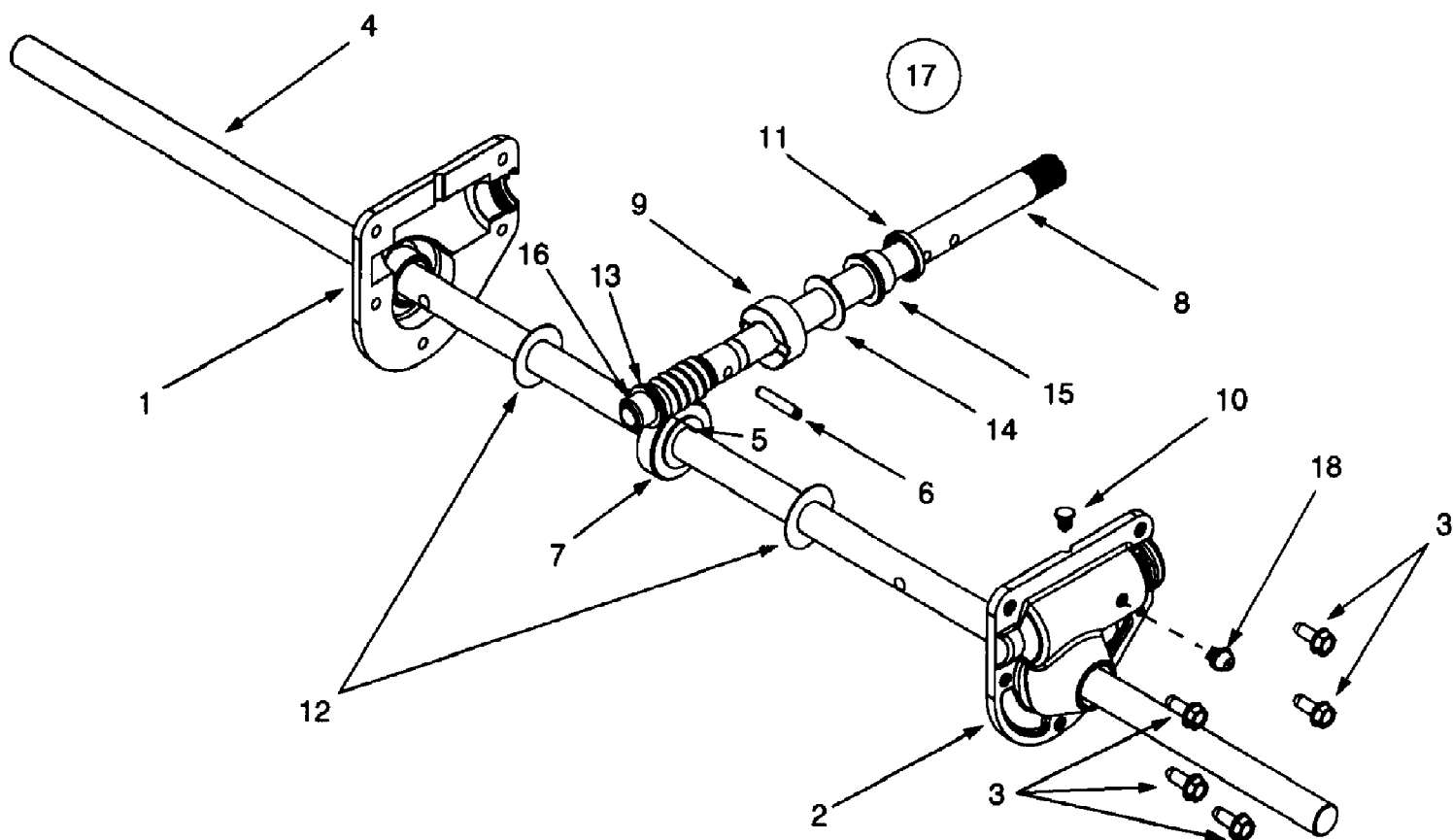
Ref #	Part Number	Qty	S/P/F	Description
1	710-1652	1	/P	Hex Screw
2	784-5688	1	S	Drive Cable Guide Bracket
3	784-5687	1	S	Auger Clutch Cable Bracket
4	756-0625	1		Roller Cable
5	738-0924	1	S	Hex Screw 1/4-28
6	684-0030	1		Frame Assembly
7	741-0563	1	S	Ball Bearing
8	736-0105	1	/P	Bell Washer
9	712-0116	1	S	Lock Jam Nut
10	741-0598	1	S	Hex Flange Bearing
11	736-0188	1	/P	Flat Washer
12	784-5689A	1	S	Front Support Guide Bracket
13	710-0538	1	/P	Lock Hex Screw
14	736-0242	1	/P	Bell Washer .340 ID x .872 OD
15	714-0474	1	S	Cotter Pin
16	736-0160	1	S	Flat Washer .536 ID x .930 OD
17	710-0788	1	/P	Hex Washer Screw 1/4-20
18	784-5590	1		Frame Shift Bracket
19	784-5638	1		Frame Cover
20	710-0599	1	/P	Hex Washer Screw 1/4-20
21	736-0351	1	S	Flat Washer .760 ID x .50 OD
22	717-1445	1		Gear
23	714-0126	1	S	Key
24	717-1444	1	S	7-Tooth Shaft
25	715-0249	1	S	Roll Pin
26	714-0143	1	S	Clik Pin
27	684-0042B	1	S	Friction Wheel Assembly
28	656-0012A	1	S	Friction Disc Wheel
29	684-0013B	1	S	Wheel Shift Rod Assembly
30	746-0897	1	S	Drive Cable
31	748-0190	1	/P	Spacer
32	684-0021	1	S	Friction Wheel Bracket Ass'y
33	732-0264	1	S	Extension Spring
34	712-0711	1	/P	Jam Nut, 3/8-24
35	746-0898	1	S	Drive Cable
36	738-0869	1		Axle
37	717-1445	1		Gear
38	714-0126	1	S	Key
39	717-1444	1	S	7-Tooth Shaft
40	618-0063	1		Friction Wheel Bearing
41	734-1732	1		Tire Only, 13 x 4 (For model 550)
	734-1859	1	S	Tire Only, 15 x 5 (For model 750)
42	741-0401	1	S	Sleeve Bearing
43	734-0255	1	S	Air Valve
44	634-0114	1		Wheel Assembly (For model 550)
	634-0140	1		Wheel Assembly (For model 750). (Incl. Ref. 41, 42, & 43)



31AH633E190 Snow Boss 750 (2000)
Frame Assembly / Drive

Page 6 of 11

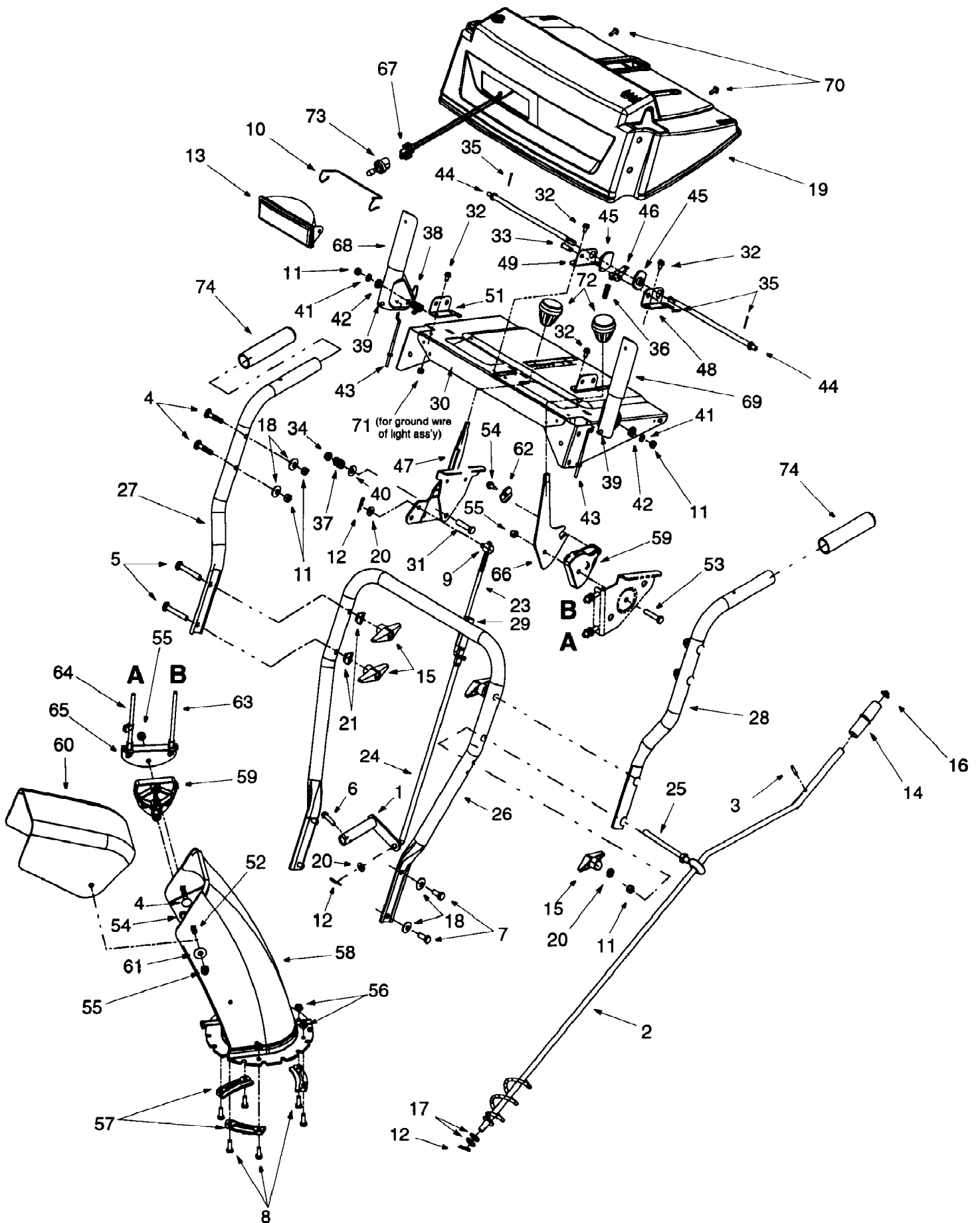
Ref #	Part Number	Qty	S/P/F	Description
1	710-1652	1	/P	Hex Washer Screw 1/4-20 x.625
2	731-1324	1		Belt Cover
3	732-0339	1	S	Extension Spring
4	710-0627	1	/P	Hex Screw 5/16-24 x.75
5	710-3005	1	/P	Hex Cap Screw 3/8-16 x 1.25
6	05896A	1		Drive Clutch Bracket
7	748-0234	1	/P	Shoulder Spacer
8	756-0985	1		Pulley Half
9	754-0343	1	S	V-Belt
10	756-0984	1	S	Pulley Half
11	736-0270	1	/P	Bell Washer
12	710-0230	1	/P	Hex Cap Screw 1/4-28 x.50
13	756-0313	1	/P	Flat Idler
14	710-1245	1	/P	Lock Cap Screw 5/16-24
15	712-0181	1	S	Lock Jam Nut 3/8-16
16	756-0569	1		Pulley Half
17	736-0242	1	/P	Bell Washer
18	736-0505	1		Flat Washer
19	736-0507	1	S	Washer
20	754-0430A	1	S	Belt
21	756-0967	1		Auger Pulley
22	736-0247	1	/P	Flat Washer
23	736-0331	1	/P	Bell Washer
24	710-0696	1	/P	Hex Cap Screw 3/8-24
25	748-0360	1	S	Pulley
26	710-0654A	1	/P	Hex Washer Screw 3/8-16 x 1.0
27	629-0071	1	S	Extension Cord
28	OEM-390-987	1	S	Electric Start Kit (Includes Ref. 27)



31AH633E190 Snow Boss 750 (2000)
Gear Assembly

Page 8 of 11

Ref #	Part Number	Qty	S/P/F	Description
1	618-0123	1	S	RH Housing
2	618-0418	1	S	LH Housing w/Fitting
3	710-0642	1	/P	Self Tapping Screw, 1/4-20 x .75
4	711-1020	1	S	Spiral Axle, 22" (For model 550)
	711-0908	1	S	Spiral Axle, 24" (For model 750)
5	714-0161	1	S	Hi-Pro Key, 3/16 x 5/8
6	715-0143	1	S	Spring Spirol Pin, .25 x 1.25
7	717-0528	1	S	Worm Gear, 20-tooth
8	717-0526	1		Worm Shaft
9	718-0186	1		Thrust Collar
10	721-0325	1		Grease Plug
11	721-0327	1		Grease Seal
12	736-0351	1	S	Flat Washer, .76 x 1.5 x .030
13	736-0369	1	S	Flat Washer, .508 x 1.0 x .020
14	736-0445	1	S	Flat Washer, .76 x 1.5 x .060
15	741-0662	1		Flange Bearing, .75 x 1.0 x .59
16	741-0663	1		Flange Bearing, .503 ID x .75 OD
17	618-0413	1		Gear Assy Complete, 22" (For model 550)
	618-0414	1	S	Gear Assy Complete, 24" (For model 750)
18	737-3000	1	S	Grease Fitting, 3/16" Drive
	737-0168	1	S	Grease (Two Ounces)



31AH633E190 Snow Boss 750 (2000)
Handle Assembly And Chute

Page 10 of 11

Ref #	Part Number	Qty	S/P/F	Description
1	684-0008A	1	S	Shift Arm Assembly
2	684-0022	1	S	Chute Crank Ass'y
3	715-0138	1	S	Rolled Pin
4	710-0262	1	/P	Carriage Bolt, 5/16-18 x 1.5
5	710-0449	1	S	Carriage Bolt, 5/16-18 x 2.25
6	710-0788	1	/P	Self Tapping Screw, 1/4-20 x 1
7	710-3008	1	/P	Hex Cap Screw, 5/16-18 x .75
8	710-3015	1	/P	Hex Cap Screw, 1/4-20 x .75
9	711-0677	1	S	Ferrule, 5/16-18 x .312
10	747-1136	1	/P	Headlamp Retainer
11	712-3010	1	S	Hex Nut, 5/16-18
12	714-0104	1	S	Internal Cotter Pin
13	725-1672	1	S	Lens Assembly / Lamp Housing
14	720-0201A	1	/P	Chute Crank Knob
15	720-0284	1	S	Wing Knob, 5/16-18
16	726-0100	1	S	Push Cap, 3/8
17	736-0185	1	S	Flat Washer, .375 x .738 x .063
18	736-0242	1	/P	Bell Washer, .34 x.872
19	731-2275	1		Handle Panel
20	736-0275	1	S	Flat Washer, .344 x .688 x .065
21	736-0451	1	S	Saddle Washer, .32 x .93
?22	741-0475	1	S	Plastic Bushing
23	747-0620A	1	/P	Upper Shift Rod
24	747-0621	1		Lower Shift Rod
25	747-0697	1	/P	Eyebolt
	735-0234	1		Eyebolt Grommet (Not Shown)
26	749-0951	1		Lower Handle
27	749-0952	1	S	RH Handle (Upper)
28	749-0953	1	S	LH Handle (Upper)
29	750-0963	1	S	Shift Rod Connector
30	684-0102	1		Handle Panel Ass'y With Tilt
31	710-0459A	1	/P	Hex Cap Screw, 3/8-24 x 1.5
32	710-0599	1	/P	Self Tapping Screw, 1/4-20 x .5
33	711-0653	1	/P	Clevis Pin
34	712-0116	1	S	Jam Nut, 3/8-24
35	714-0507	1	S	Cotter Pin, 3/32 x .75
36	732-0145	1	/P	Compression Spring, .36 x 1.0
37	732-0193	1	/P	Comp. Spring, .39 x .6 x .88
38	732-0746	1		Torsion Spring, .44 x .8
39	735-0199A	1	S	Rubber Bumper
40	736-0105	1	/P	Bell Washer, .401 x .87 x .063
41	736-0119	1	S	Lock Washer, 5/16
42	736-0509	1		Special Washer, .35 x .72 x .13
43	746-0778	1	S	Cable "Z" Fitting
44	747-0877	1		Cam Rod
45	748-0362	1		Cam Handle Lock
46	748-0363	1	S	Handle Lock Pawl
47	784-5619A	1	S	Shift Handle
48	784-5679	1	S	LH Handle Support Bracket
49	784-5680	1	S	RH Handle Support Bracket
?50	784-5681	1	/P	LH Handle Support Bracket
51	784-5682	1	S	RH Handle Support Bracket
52	710-0451	1	/P	Hex Cap Screw, 5/16-18 x .75

31AH633E190 Snow Boss 750 (2000)
Handle Assembly And Chute

Page 11 of 11

Ref #	Part Number	Qty	S/P/F	Description
53	710-0805	1	/P	Hex Cap Screw, 5/16-18 x 1.5
54	710-0896	1	/P	Screw, 1/4-14 x .625
55	712-0429	1	S	Hex Lock Nut, 5/16-18
56	712-3027	1	S	Hex Flange Lock Nut, 1/4-20
57	731-0851A	1	/P	Lower Chute Flange Keeper
58	731-1300A	1	S	Lower Chute
59	731-1313C	1	/P	Chute Tilt Cable Guide
60	731-1320	1	S	Upper Chute
61	736-0159	1	S	Washer, 5/16
62	736-0506	1	S	Special Washer, .28 x 1.2 x .06
63	746-0896	1	S	Chute Deflector Control Cable
64	746-0901	1	S	Chute Deflector Cable w/ Clip
65	784-5594	1		Cable Bracket
66	784-5604	1	S	Chute Tilt Handle
67	629-0059	1	S	Halogen Light Harness
68	684-0036	1	S	RH Engagement Handle Ass'y
69	684-0037	1	S	LH Engagement Handle Ass'y
70	710-1003	1	/P	Special Screw, #10-16 x.625
71	712-0271	1	/P	Hex Sems Nut, 1/4-20
72	720-0232	1	S	Plastic Knob
73	725-1658	1	S	Halogen Lamp, 12-volt, 27 Watt
74	720-0274	1	/P	Handle Grip